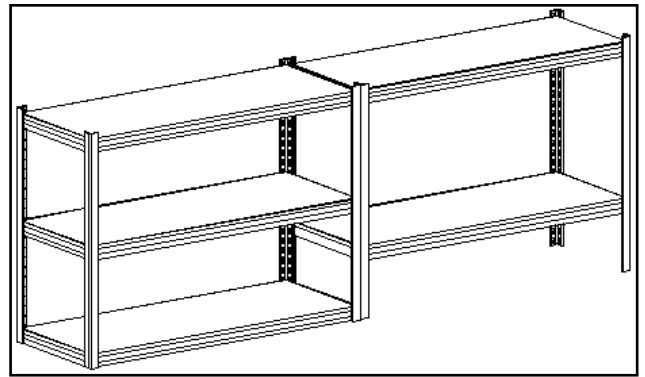
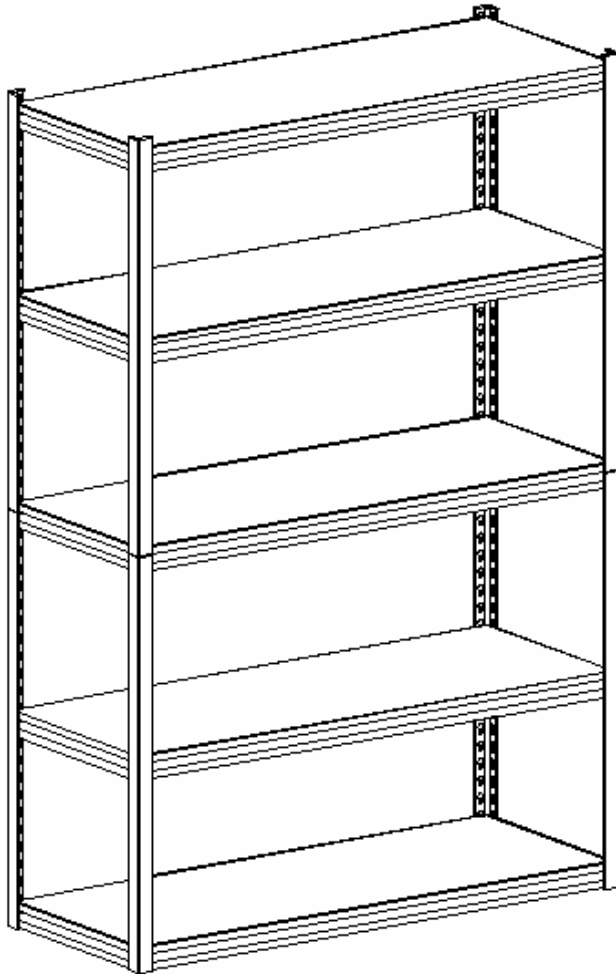


Z BEAM METAL SHELF WITH LAMINATED SHELVES



Workbench Optional

“ADULT ASSEMBLY REQUIRED DUE TO THE PRESENCE OF SMALL PARTS, SHARP POINTS, SHARP EDGES”

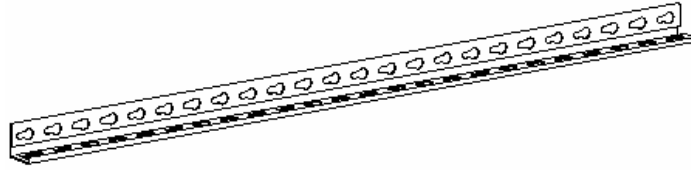


Organize your life.

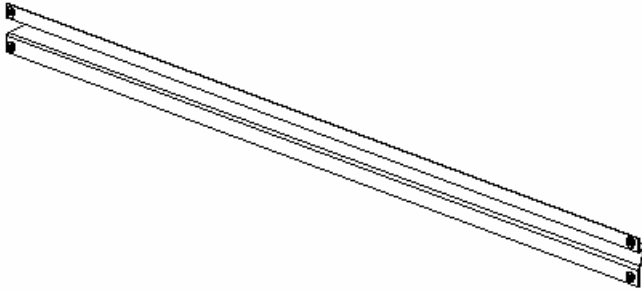
Whalen Storage
Page # 1

Parts List

Please read completely through the instructions and verify that all parts listed are present before beginning assembly.



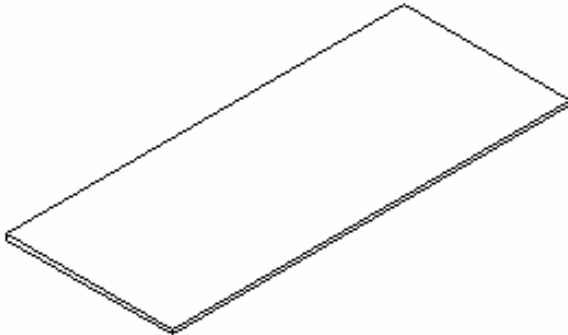
A- Angle Post (8)



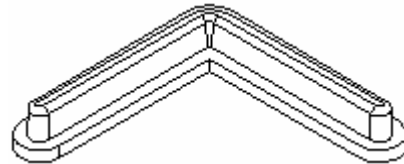
B-Long Z-beam (10)



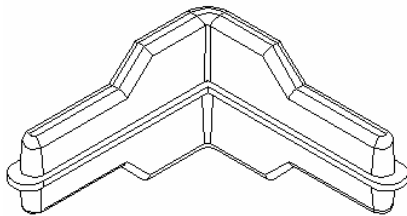
C-Short Z-beam (10)



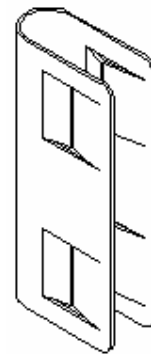
D- Shelf Deck (5)



E- Post Cap (8)



F- Post Inserts (4)
(Used on Storage Rack)



G- Post Clips (2)
(Used on Workbench)

Tool Required: Rubber Mallet, Hammer.

Please call for replacement parts or assistance: 1-800-765-5867

ATTENTION

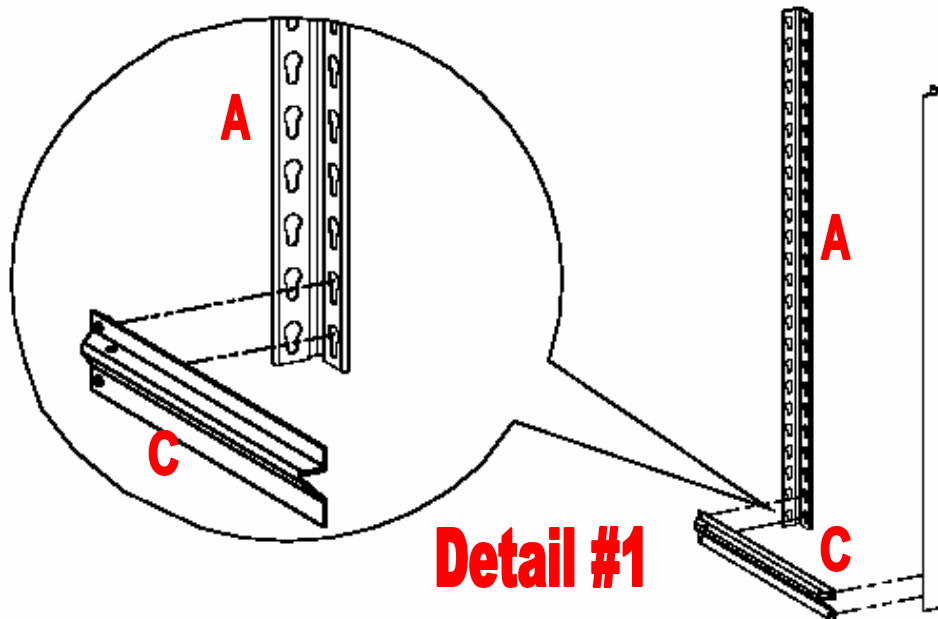
Storage Rack is not recommended for outdoor use.

1. Use some type of lubricant to ease the joining of the angle posts and beams.
2. Use a cloth or wood block to protect the surface finish of the product when using a hammer.
3. Rivets must seat at the bottom of the keyhole slot. Hitting the flat section of Z beam
4. Assemble the unit on a sturdy and level surface. Avoid assembly on carpet.
5. Load small stable items on the top shelves, heavier and bulkier items should be stored on the lower shelves.

OPTION #1 STORAGE RACK

Note: To facilitate assembly we recommend having two persons assemble the unit. If you do not understand these directions, or have any doubts about the safety of the installation, please call a qualified contractor or contact Whalen Storage at 1-800-765-5867. We can assist you or give you directions, if you have any defective parts please do not use, improper installation may result on damage or injury.

1. Unpack the unit and confirm that you have all the hardware and required parts listed.
2. Start the End Assembly by joining a Short Z-beam (part C) into the two bottom keyholes of an Angle Post (part A). Install the Z-beam in the upright position, as shown in detail #1. Drive the rivets to the bottom of the keyhole by hitting the beam near the joint with a rubber mallet to lock the pieces together.
3. Repeat last step to the second Angle Post (part A) creating an End Assembly.



Please call for replacement parts or assistance: 1-800-765-5867

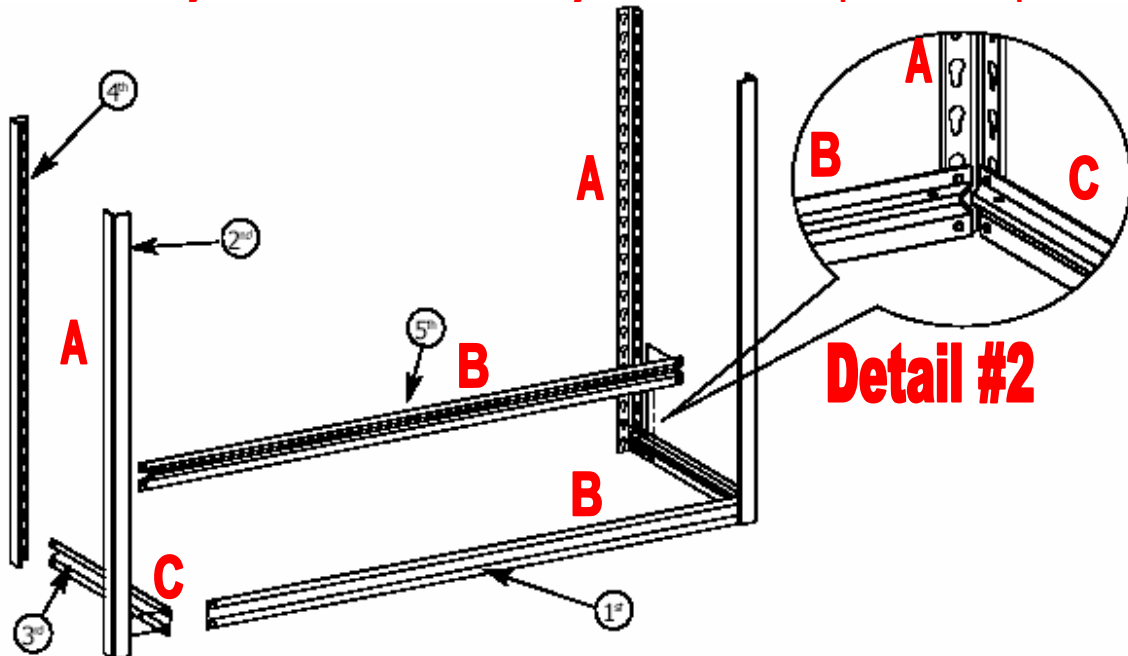
Assembly Instructions

4. Assemble a Long Z-beam (part B) to the other two bottom keyholes of the End Assembly. Assure all Z-beams are assembled in the upright position. As shown in detail #2. Hit the beam near the joint with a rubber mallet to lock pieces together.

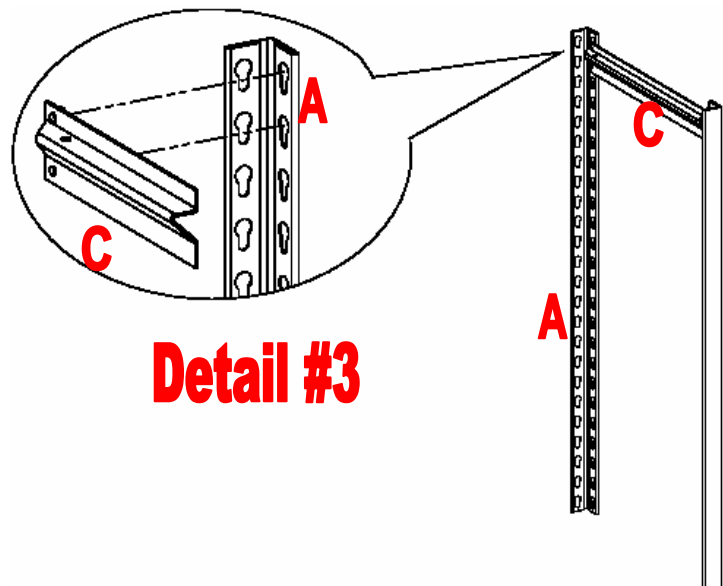
Note: Don't hit too hard so you will not damage or bend the beams.

5. Repeat last step to add an additional Long Z-beam, the other Short Z-beam and two Angle Posts to the End Assembly to create the Bottom Frame Assembly. As shown in detail #2.

Note: Follow the order 1st through 5th as shown in detail #2 to facilitate the assembly. Hit the beams near the joints to lock the pieces into place.



6. Now pick up a Short Z-beam (part C) and join into the top two keyholes of the other two Angle Post (part A) to create a Top End Assembly. Drive the rivets to the bottom of the keyhole with a rubber mallet. Make sure the flat edge of the Z-beam point up. As shown in detail #3.

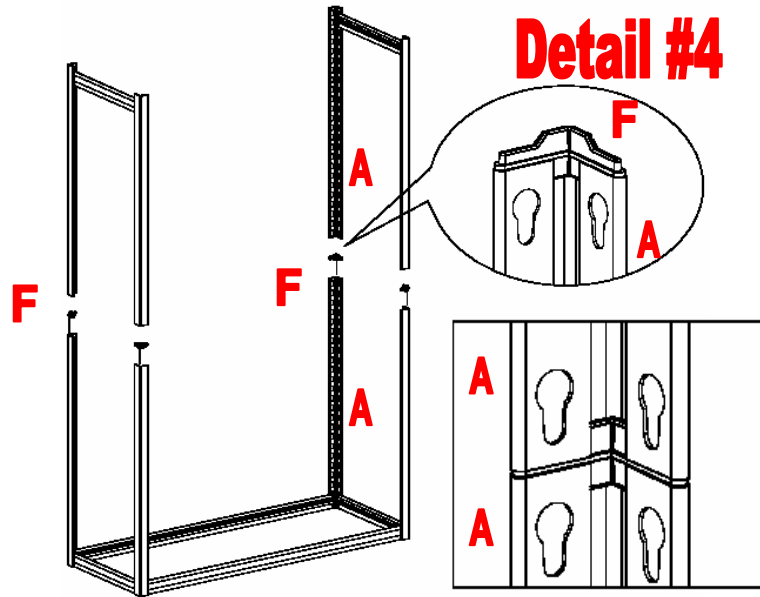


7. Repeat last step for the opposite side Top End Assembly.

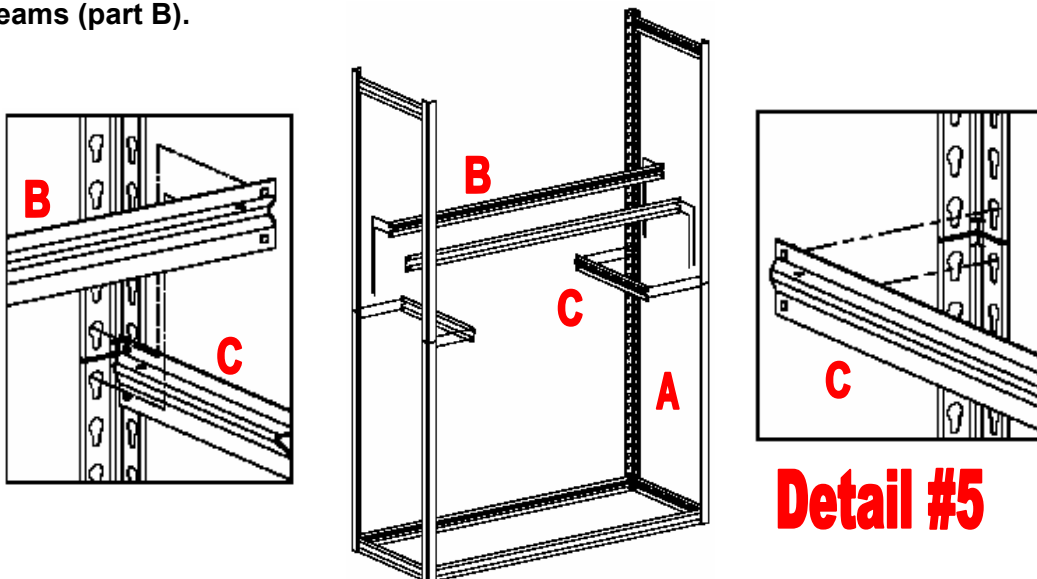
Please call for replacement parts or assistance: 1-800-765-5867

Assembly Instructions

- Before joining the Top End Assembly to the Bottom Frame Assembly insert Post Inserts (part F) into the Angle Posts (part A) on the Bottom Frame Assembly, As shown in detail #4.
- Proceed to assemble the Top End Assembly on to the Post Insert (part F), As shown in detail #4.
- Repeat last two step for the opposite Top End Assembly.



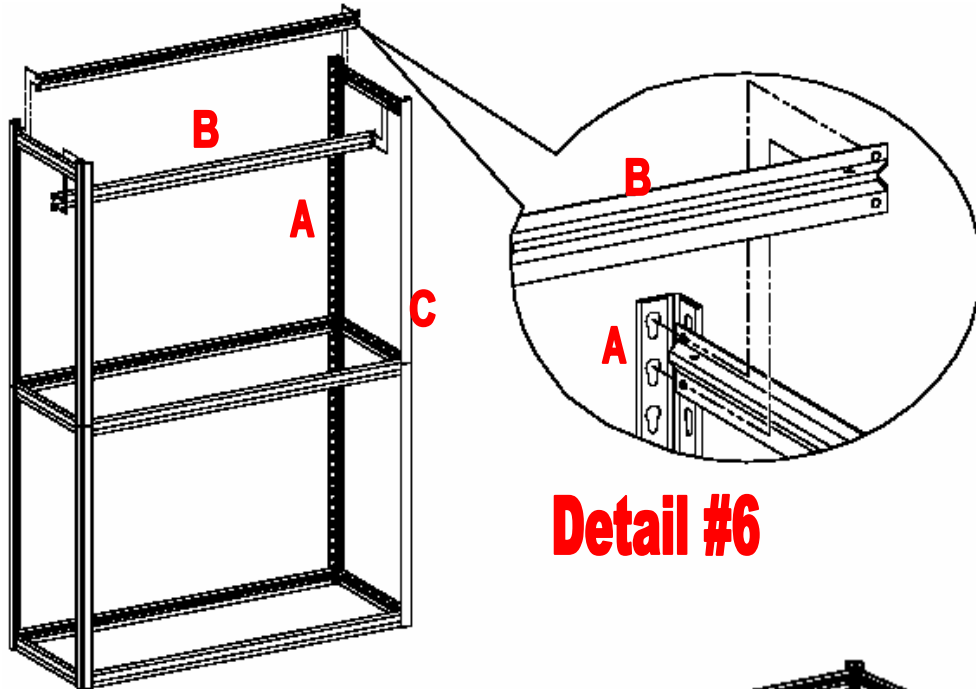
- Add a Short Z-beam (part C) to mid section at the joint by inserting the top rivet of the Z-beam into the bottom keyhole of the Top End Assembly, and the bottom rivet of the Z-beam into the top keyhole of the Bottom Frame Assembly. As shown in detail #5; Make sure all Z-beams in the upright position. Drive the rivets to the bottom of the keyholes by hitting the beam near the joints to lock pieces together.
- Repeat last step to add an additional Short Z-beam (part C) and two Long Z-beams (part B).



Please call for replacement parts or assistance: 1-800-765-5867

Assembly Instructions

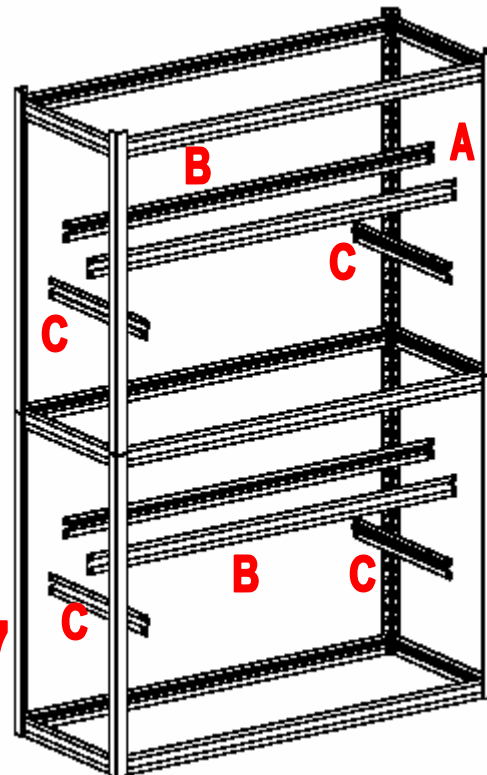
13. Proceed to add two additional Long Z-beams (part B) to top two keyholes of the Angle Posts (part A). As shown in detail #6; Install the Z-beams in the upright position. Assure to have the rivets in the keyholes before hitting the beams near the joints to lock the pieces together.



Detail #6

14. Assemble the remaining Long and Short Z-beams (part B & C) to your desired location on the Angle Post (part A) to create two additional shelves. As shown in detail #7. Assure to install the Z-beams in the upright position. Hit the beams near the joints to lock pieces together.

Note: The posts are adjustable in 1 1/2" increment. You can adjust the shelves at your desired height.

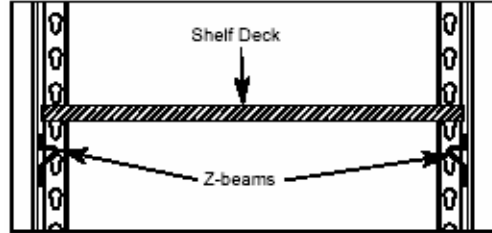
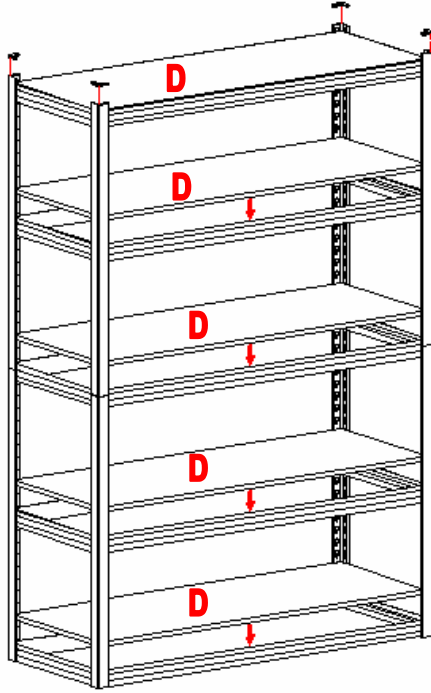


Detail #7

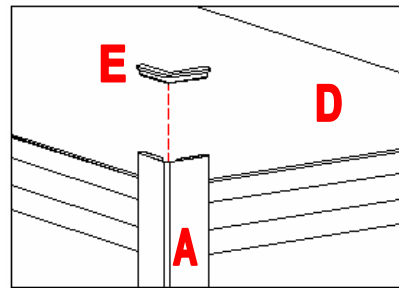
Please call for replacement parts or assistance: 1-800-765-5867

Assembly Instructions

15. Now Lay the Shelf Decks (part D) in between the Z-beams. See detail #8.
16. Insert the Post Caps (part E) on the top of the Angle Posts (part A), As shown in detail #8A.



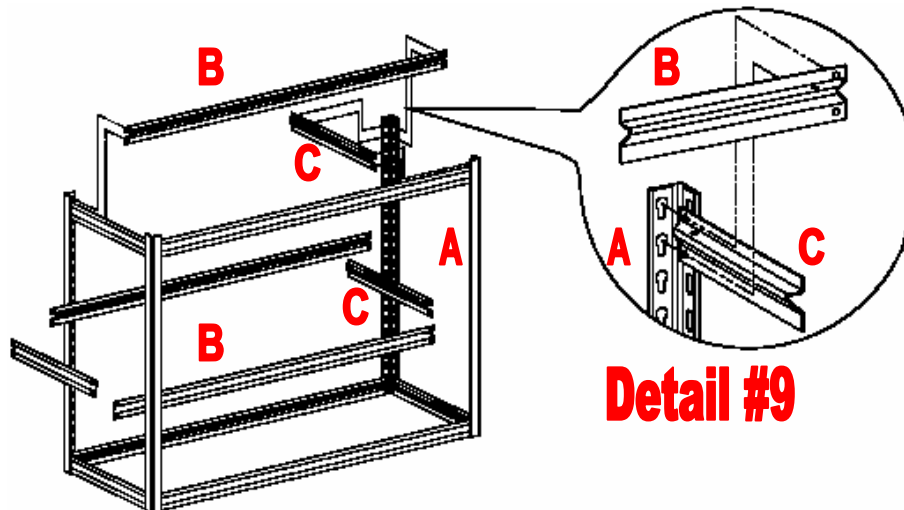
Detail #8



Detail #8A

OPTION #2 WORKBENCH

17. Repeat step 2 through 5 to create a Bottom Frame Assembly.
18. Now insert two Short Z-beams and two Long Z-beams (part C & B) to the top keyholes of the Angle Posts. Hit the beams near the joints with a rubber mallet to lock pieces together. As shown in detail #9.
19. Add two additional Short Z-beams and two Long Z-beams (part C & B) to create a shelf at your desired level. Assure all Z-beams are assembled in the upright position. As shown in detail #9.

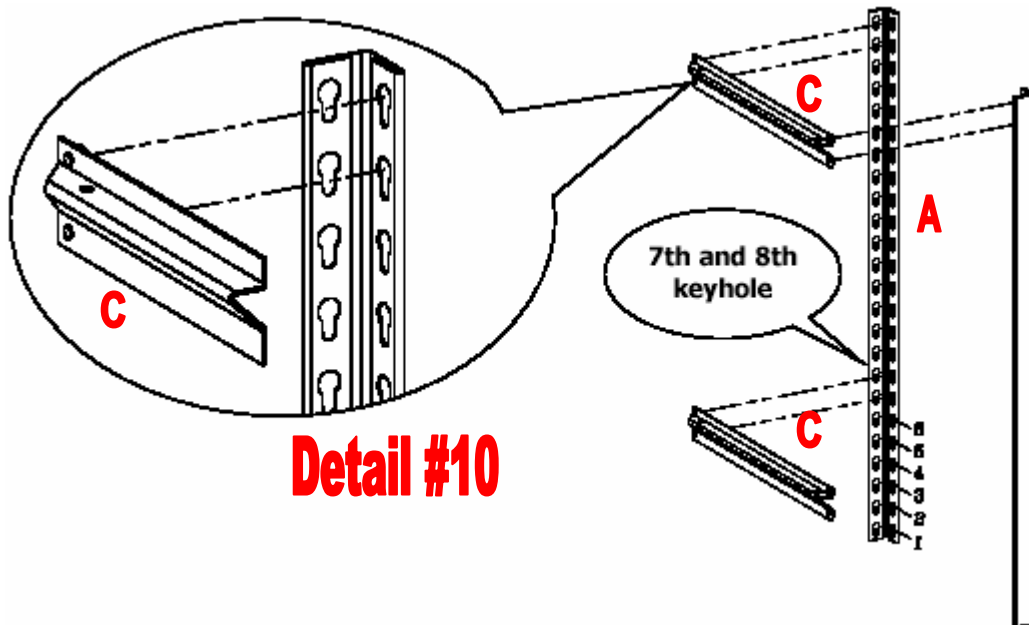


Detail #9

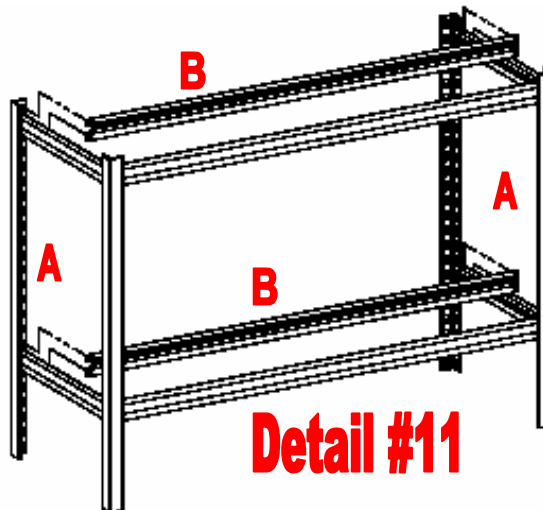
Please call for replacement parts or assistance: 1-800-765-5867

Assembly Instructions

20. Now start the Add On Unit by joining the first Short Z-beam (part C) into the top two keyholes of the other two Angle Posts (part A). The second Short Z-beam must be assembled at the 7th and 8th keyholes from the bottom of the Angle Posts. As shown in detail #10. Hit the beam near the joints with a rubber mallet to lock pieces together.
21. Repeat for the opposite end assembly.



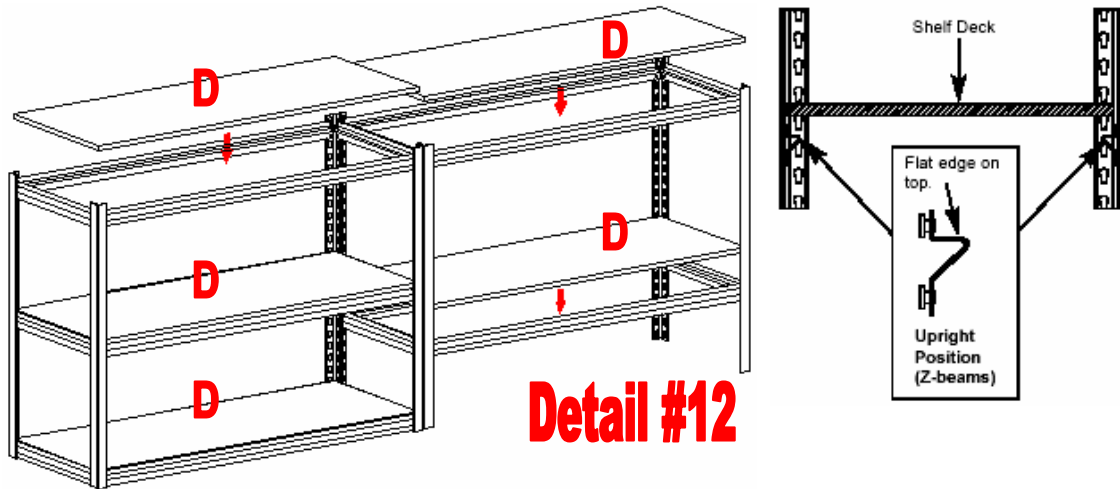
22. Complete the Add-On Unit by adding two Long Z-beams (part B) at the top keyholes of the Angle Posts (part A), and inserting two Long Z-beams (part B) into the 7th and 8th keyholes from the bottom of the Angle Posts. As shown in detail #11. Install all Z-beams in the upright position. Hit the beams near the joint with a rubber mallet to lock joints into place.



Please call for replacement parts or assistance: 1-800-765-5867

Assembly Instructions

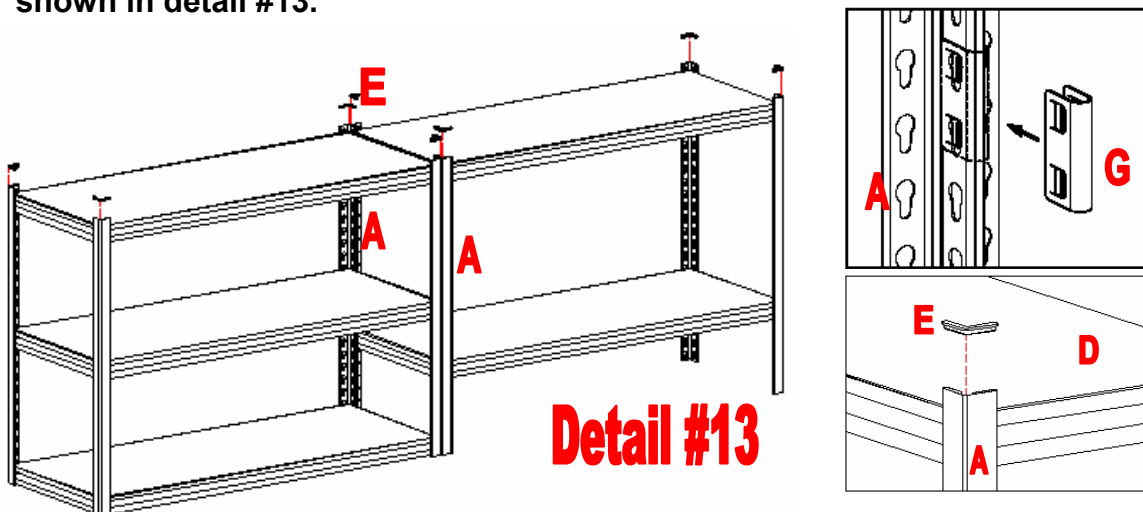
23. Now Lay the Shelf Decks (part D) in between the Z-beams. Make sure all Z-beams in the upright position. As shown in detail #12.



24. To secure the frames together align the four middle Angle Posts (part A) of the frames, as shown in detail #13. Start with the two back middle Angle Posts. Align the indents on the Post Clips (part G) and two keyholes of the back middle Angle Posts. Firmly clamp together a Post Clip and the two angle posts. Repeat the step to clamp the two front middle angle posts.

Note: To remove Post Clips use a screwdriver.

25. Insert the Post Caps (part E) on the top of the Angle Posts (part A), As shown in detail #13.



26. Periodically inspect the unit to ensure all Z-beams are seated properly and firmly connected to the Angle Posts.

“Keep these instructions for further use”



Organize your life.

Please call for replacement parts or assistance: 1-800-765-5867

**Whalen Storage
Page # 9**