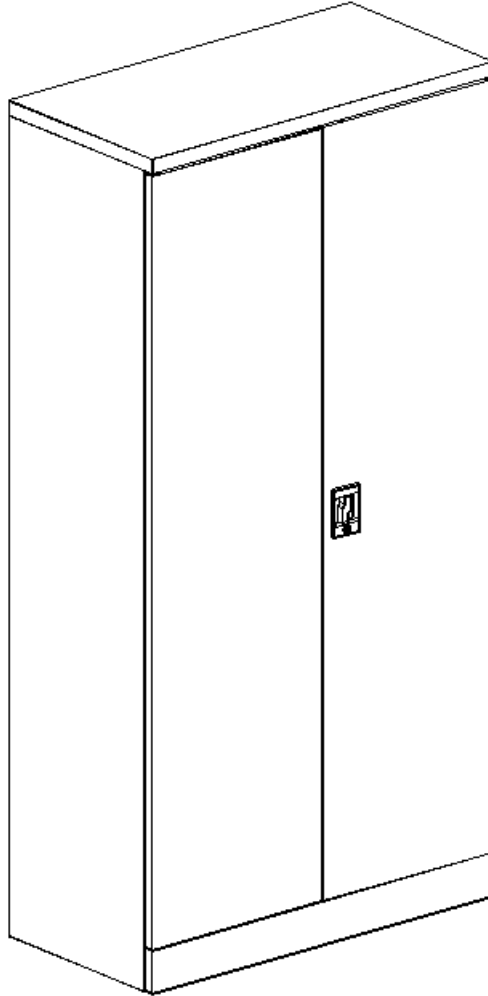


# 72" Tall Cabinet

WS-361872-SVSM



**“ADULT ASSEMBLY REQUIRED DUE TO THE PRESENCE OF SMALL PARTS, SHARP POINTS, SHARP EDGES”**



*Organize your life.*

Please call for replacement parts or assistance: **1-866-942-5362**

Pacific Standard Time: 8:30 am – 4:30 pm Monday to Friday

Or visit our web site [www.whalenstorage.com](http://www.whalenstorage.com)

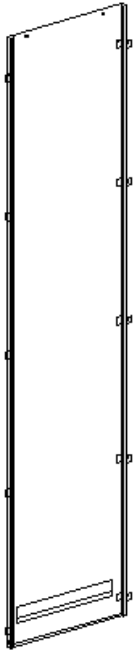
Whalen Storage

Factory # 11906

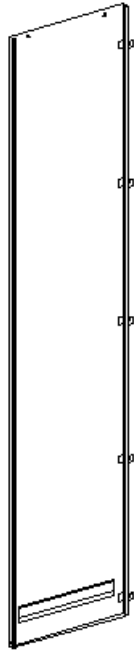
Page # 1

## Parts List

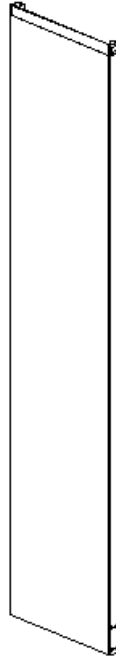
Please read completely through the instructions and verify that all parts listed are present before beginning assembly.



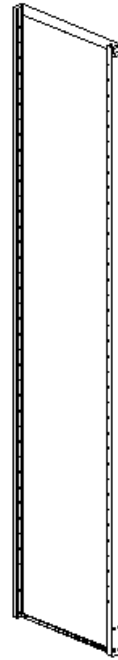
**A- Left Back Panel**  
(1- ea.)



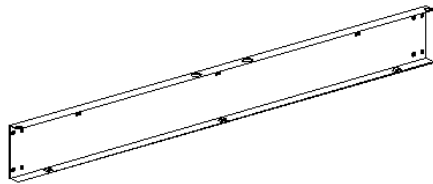
**B- Right Back Panel**  
(1- ea.)



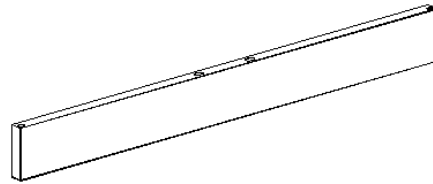
**C- Left Side Panel**  
(1- ea.)



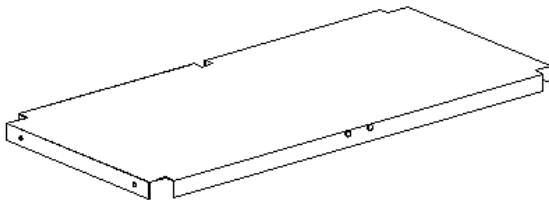
**C1- Right Side Panel**  
(1- ea.)



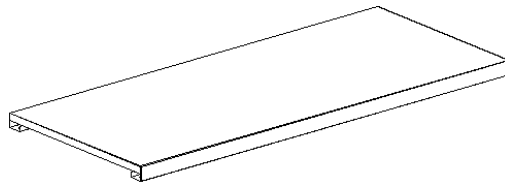
**D- Front Bottom Stretcher** (1- ea.)



**E- Stretcher Cover** (1- ea.)



**F- Bottom Panel** (1- ea.)



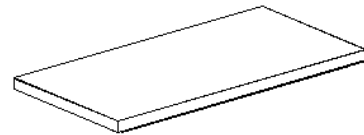
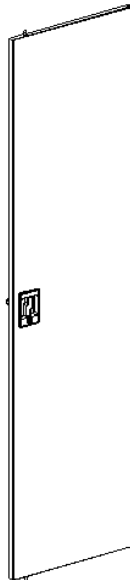
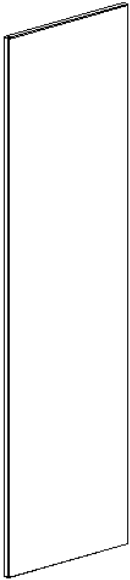
**G- Shelf** (4- ea.)

Please call for replacement parts or assistance: **1-866-942-5362**

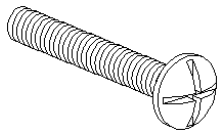
**Whalen Storage**  
**Factory No. 11906**  
**Page # 2**

## Parts List

Please read completely through the instructions and verify that all parts listed are present before beginning assembly.



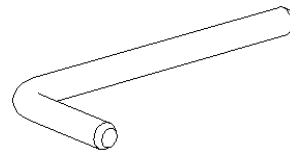
H- Door Panel (1- ea.) I- Door Panel with Lockset (1- ea.) J- Top Panel (1-ea.)



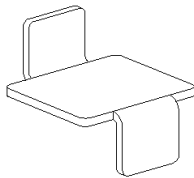
1- 1 1/2" Bolt (4+1 extra)



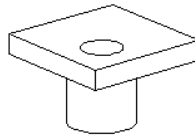
2- Wing Nut (4+1 extra)



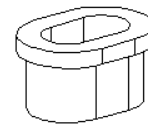
3- "L" Latch (4)



4- Shelf Holder (16+1 extra)



5- Latch Support (4-ea.)



6- Plastic Insert (4-ea.)

(2 pre-attached)

(2 pre-attached)

**Tool Required: Phillips Screwdriver, Rubber Mallet.**

**Please call for replacement parts or assistance: 1-866-942-5362**

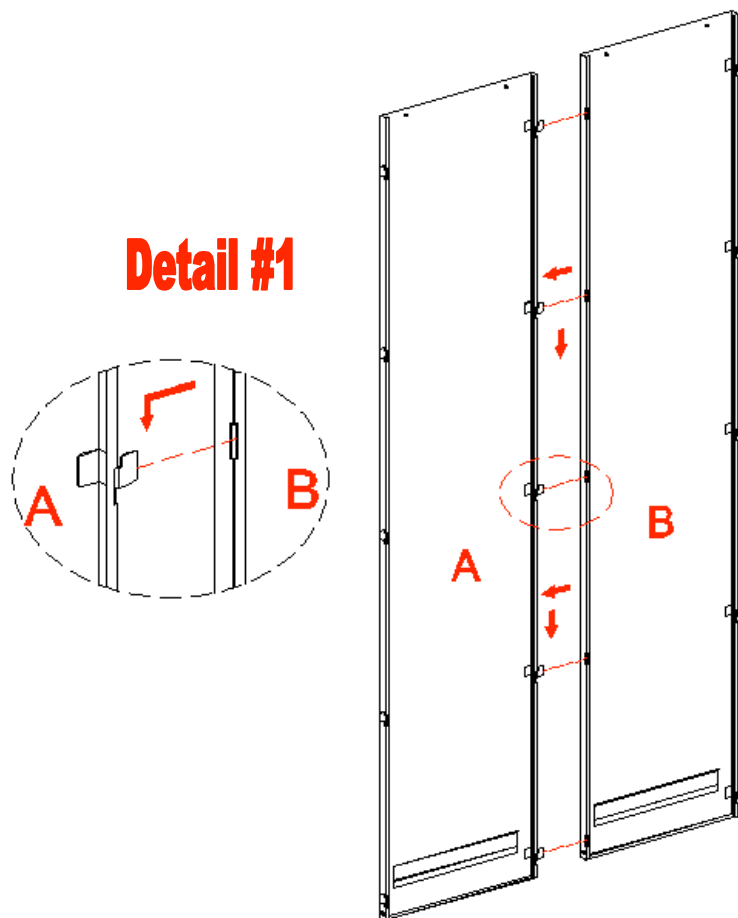
**Whalen Storage  
Factory No. 11906  
Page # 3**

## Assembly Instructions

**Note:** Assemble the unit on a sturdy and level surface. Avoid assembly on carpet. To facilitate assembly we recommend having two persons assemble the unit. If you do not understand these directions, or have any doubts about the safety of the installation, please call a qualified contractor or contact Whalen Storage at 1-866-942-5362. We can assist you or give you directions, if you have any defective parts please do not use, improper installation may result in damage or injury.

1. Unpack the unit and confirm that you have all the hardware and required parts listed.
2. Combine Right Back Panel (part B) with Left Back Panel (part A) together by inserting the hooks into the slots of Right Back Panel; once all hooks insert into slots push in and down until they lock in place. Make sure all hooks are fully engaged and go all the way in. Drive the slots to the bottom of the hooks with a rubber mallet. See detail #1.

**Note:** Make sure the large front clips on Back Panels are pointing to top.

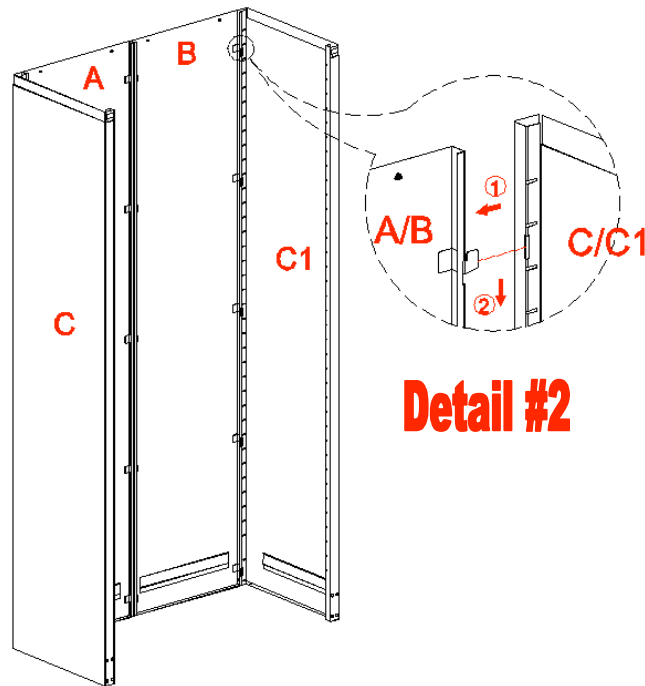


Please call for replacement parts or assistance: **1-866-942-5362**

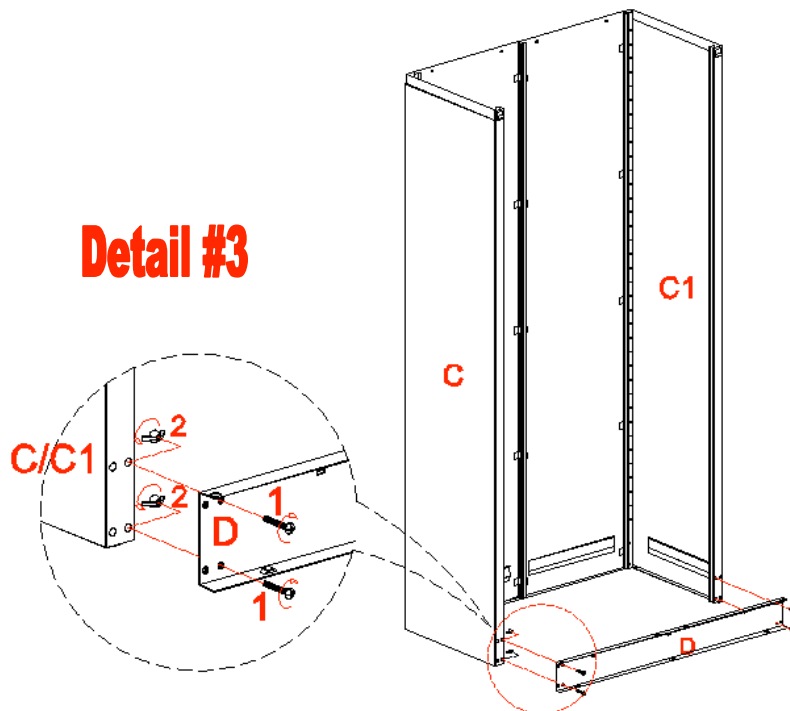
Whalen Storage  
Factory No. 11906  
Page # 4

## Assembly Instructions

3. In the same manner attach the Left and Right Side Panels (part C & C1) to the assembled back panel. Drive the slots of side panels to the bottom of the hooks with a rubber mallet to lock the pieces together. Make sure that all the hooks are fully engaged. As shown in detail #2.



4. Attach the Front Bottom Stretcher (part D) to the assembled frame, using four 1 1/2" Bolts (part 1) through the stretcher through the inner holes of side panel flange and secure with Wing Nuts (part 2) from inside. Make sure the edge with oval holes is point up. As shown in detail #3.

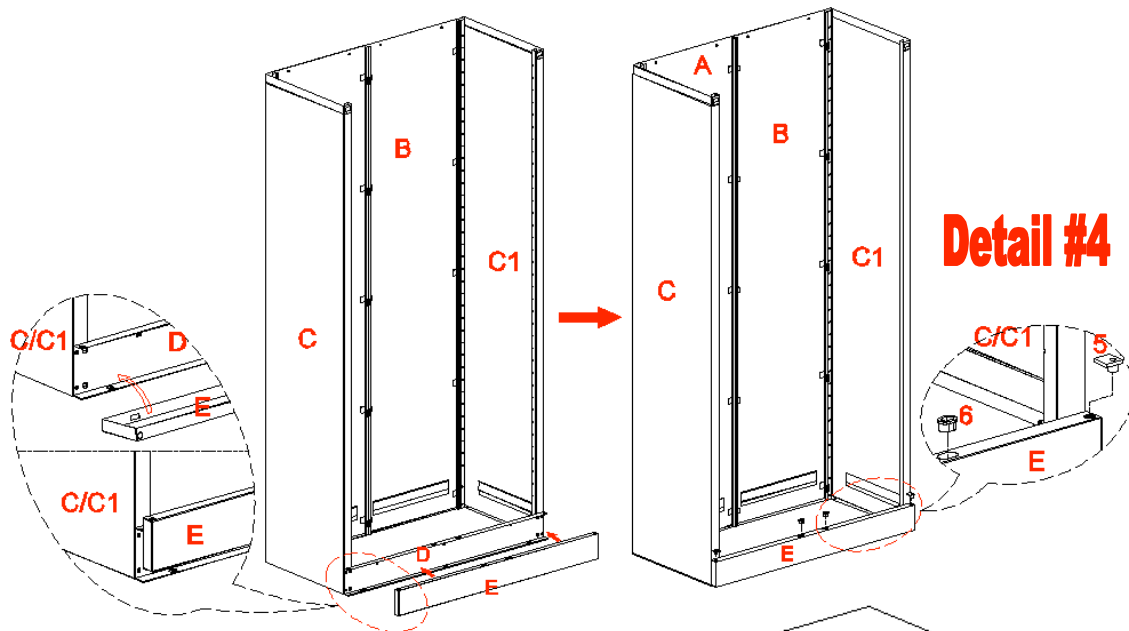


Please call for replacement parts or assistance: 1-866-942-5362

Whalen Storage  
Factory No. 11906  
Page # 5

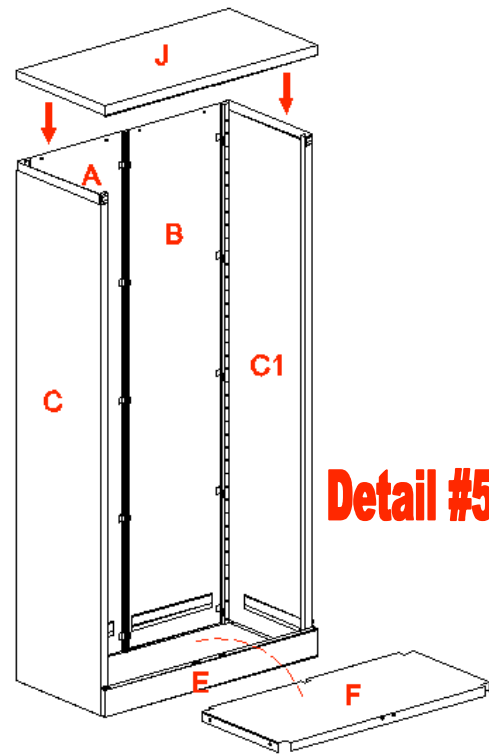
## Assembly Instructions

5. Take Stretcher Cover (part E) and cover to the Front Bottom Stretcher (part D); align the bottom slots with the bottom tabs of the stretcher at first. Once the top oval holes align with each other insert into two Plastic Inserts (part 6) and insert the Latch Support (part 5) into each end round hole. Make sure they go all the way in and the Latch Support even with the Stretcher Cover. As shown in detail #4.



6. Drop Bottom Panel (part F) inside the assembled frame in place; tap with rubber mallet the ends of the panel to allow it all the way into the clips of Side Panels and Back Panels. Make sure the Bottom Panel is leveled and the center slot points towards back. As shown in detail #5.

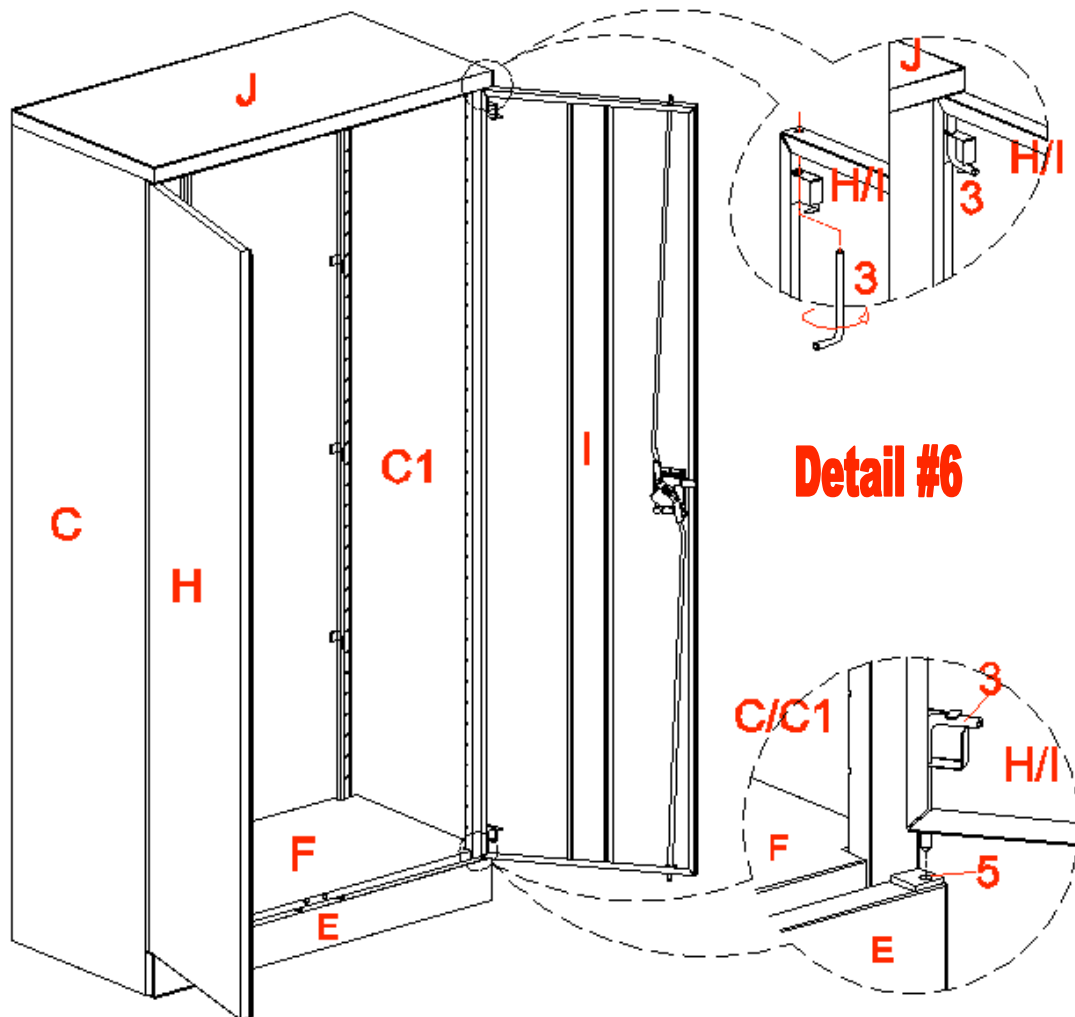
7. Align the clips weld under the Top Panel (part J) with the top edge of the assemble frame, drive the top panel all the way in with a rubber mallet to lock the pieces together. As shown in detail #5.



Please call for replacement parts or assistance: 1-866-942-5362

## Assembly Instructions

- Pick up the Door Panel with Lockset (part I) and align the end holes with the Latch Supports (part 5) inserted on the Top Panel (part J) and Front Bottom Stretcher Cover (part D & E), insert the "L" Latch (part 3) completely into the end holes of the Door panel. Make sure that it sits over the metal hook welded inside the Door panel and turn the bend end of Latch even with door panel for additional security. As shown in detail #6.
- Repeat last step to attach the Door Panel (part H) at other side.



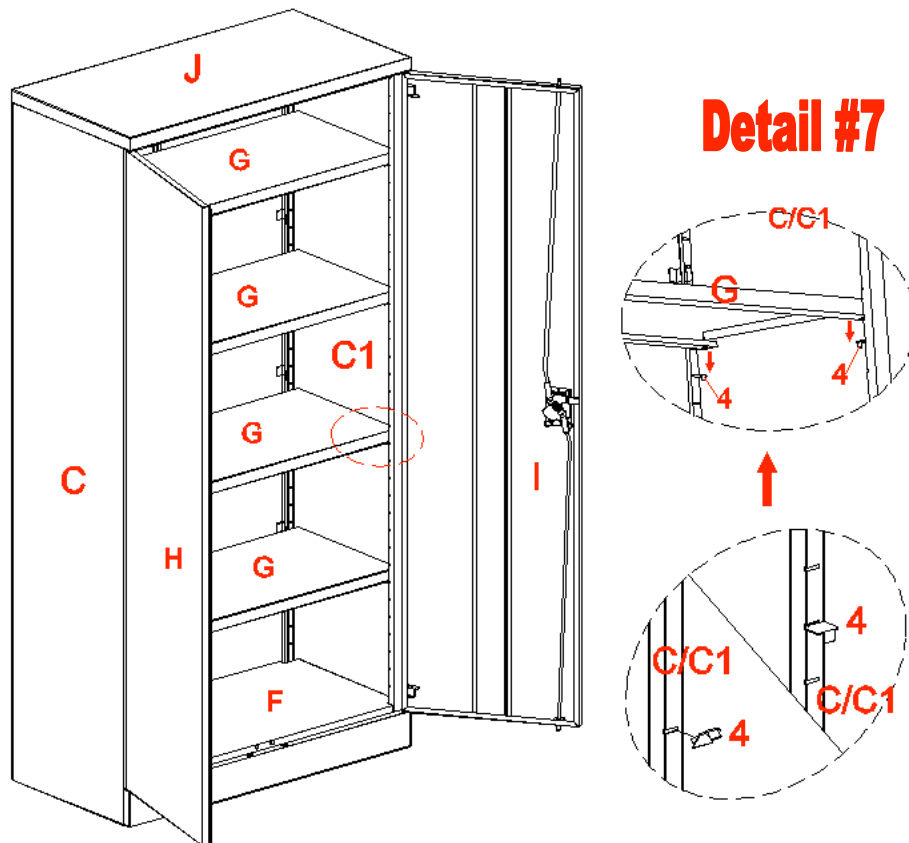
Please call for replacement parts or assistance: 1-866-942-5362

Whalen Storage  
Factory No. 11906  
Page # 7

## Assembly Instructions

10. With the doors open insert the Shelf Holders (part 4) at the desired locations of the Side Panels (part C & C1); install Shelves (part G) onto the Shelf Holders, 4 holders per shelf. As shown in detail #9.

**Note: We recommend starting from the bottom and working your way up with the installation of the shelves.**



**“KEEP THESE INSTRUCTIONS FOR FUTURE REFERENCE.”**

**Your assembly should now be complete.  
Thank you for your purchase.**



*Organize your life.*

[www.whalenstorage.com](http://www.whalenstorage.com)

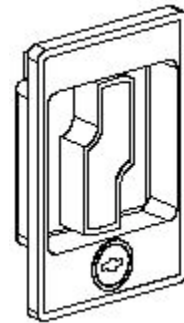
**Please call for replacement parts or assistance: 1-866-942-5362**

**Whalen Storage  
Factory No. 11906  
Page # 8**

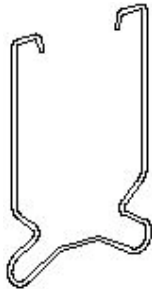
# SUPPLEMENTARY FOR WS-361872-SVSM

## Parts List for Lock

Please read completely through the instructions and verify that all parts listed are present before beginning assembly.

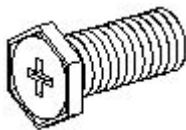


A- Short Link Rod (1- ea) B- Long Link Rod (1- ea) C- Lock Head (1-



ea)

D- Wire Bracket (1- ea) E- Conjunction Cover (1- ea) F- Conjunction (1- ea)



1- Lock Bolt (1- ea)

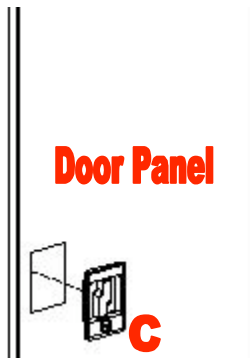
Please call for replacement parts or assistance: **1-866-942-5362**

Whalen Storage  
Factory No. 11906  
Page # 9

**Tool Required: Phillips Screwdriver.**  
**Assembly Instructions**

11. Have the Lock Head (part C) seated into the rectangle slot on the right door panel, as shown in detail #1.

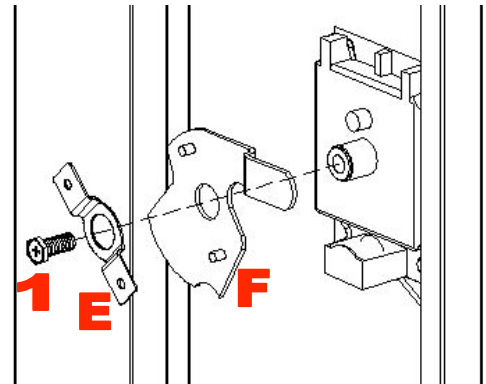
12. On the other side, buckle the lock head with Wire Bracket (part D), as shown in detail #2.



**Detail #1**



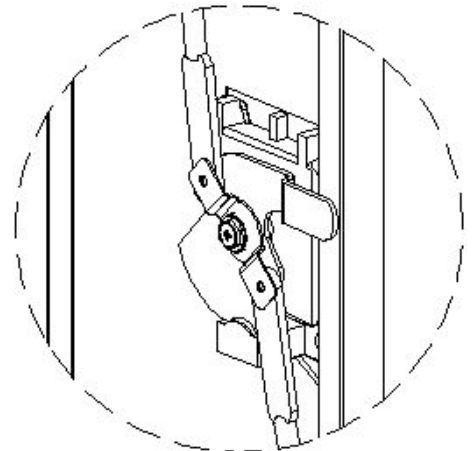
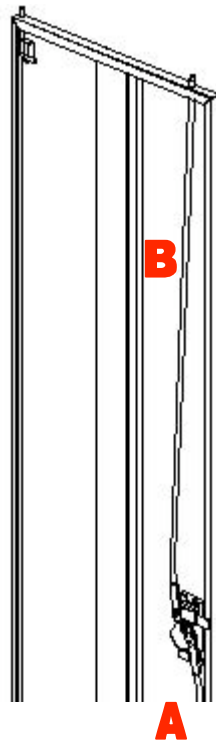
**Detail #2**



**Detail #3**

13. Cover with Conjunction (part F) firstly then with Conjunction Cover (part E), lastly fasten with Bolt, but do not too tighten. As shown in detail #3.

14. Insert the bullet end of Short Link Rod (part A) into the holes on bottom end of the door panel, fix another end on conjunction, proceed to install Long Link Rod (part B) by inserting bullet end into the holes on top end and fixing another end on conjunction, lastly fasten with Lock Bolt (part 1). As shown in detail #4.



**Detail #4**

**Please call for replacement parts or assistance: 1-866-942-5362**

**Whalen Storage  
Factory No. 11906  
Page # 10**

**“KEEP THESE INSTRUCTIONS FOR FUTURE REFERENCE.”**

**Please call for replacement parts or assistance: 1-866-942-5362**

**Whalen Storage  
Factory No. 11906  
Page # 11**