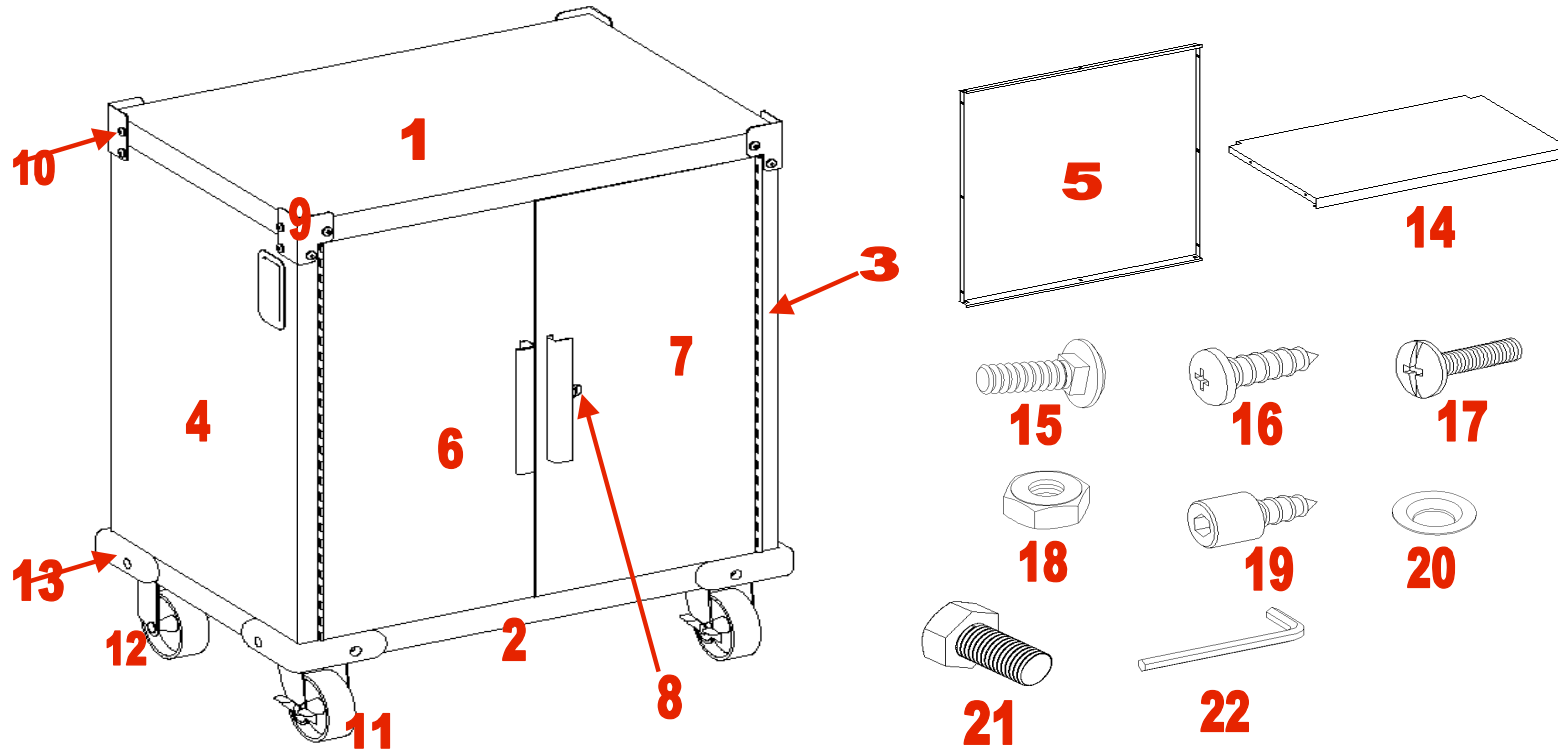


**IF YOU REQUIRED TO ORDER PARTS PLEASE USE THE LIST BELOW**

**Mobile 2-Door Cart**



- WSGS05RC 1-TP**      **Top Panel**
- WSGS05RC 2-BP**      **Bottom Panel**
- WSGS05RC 3-RSP**      **Right Side Panel**
- WSGS05RC 4-LSP**      **Left Side Panel**
- WSGS05RC 5-BP**      **Back Panel**
- WSGS05RC 6-LDP**      **Left Door Panel**
- WSGS05RC 7-RDP**      **Right Door Panel**
- WSGS05RC 8-L&K**      **Lock & Keys**
- WSGS05RC 9-LFRBB**      **Left Front /Right Back Bracket**
- WSGS05RC 10-RFLBB**      **Right Front /Left Back Bracket**
- WSGS05RC 11-CWB**      **Caster with Brake**
- WSGS05RC 12-CWOB**      **Caster without Brake**

- WSGS05RC 13-B**      **Bumper**
- WSGS05RC 14-S**      **Shelf**
- WSGS05RC 15-3/8CB**      **3/8" Carriage Bolt**
- WSGS05RC 16-1/2S**      **1/2" Screw**
- WSGS05RC 17-5/8B**      **5/8" Bolt**
- WSGS05RC 18-LN**      **Locknut**
- WSGS05RC 19-SCS**      **Socket Cap Screw**
- WSGS05RC 20-SW**      **Shoulder Washer**
- WSGS05RC 21-3/4HB**      **3/4" Hex Bolt**
- WSGS05RC 22-AW**      **Allen Wrench**
- WSGS05RC 23-CH**      **Complete Hardware**