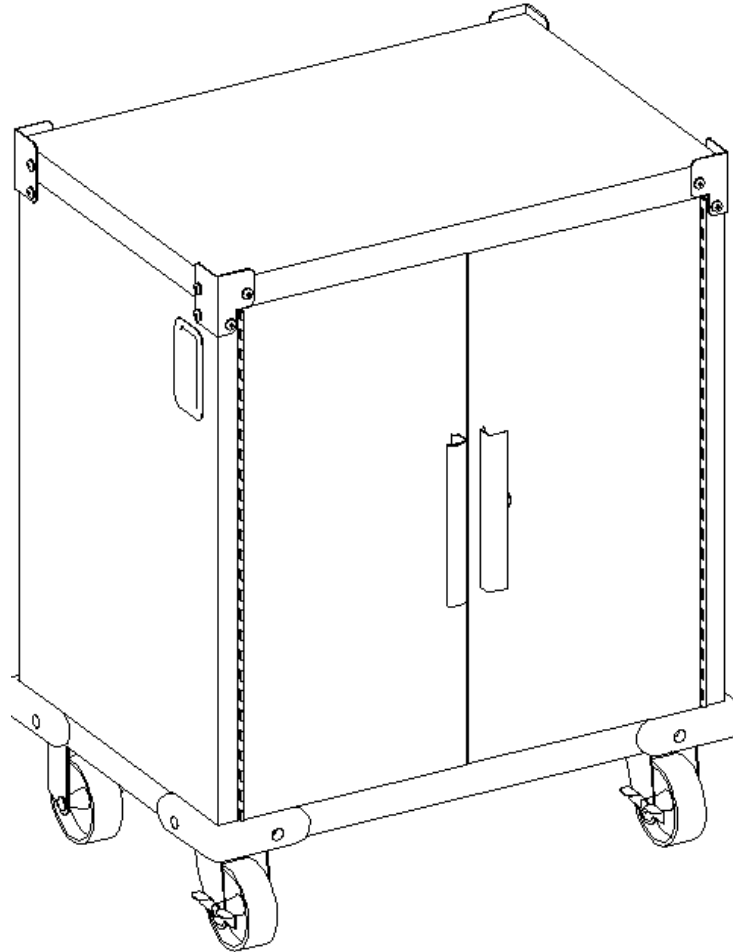


Mobile 2-Door Cart

WSGS05RC



“ADULT ASSEMBLY REQUIRED DUE TO THE PRESENCE OF SMALL PARTS, SHARP POINTS, SHARP EDGES”



Organize your life.

Safety Precautions

Please call for replacement parts or assistance: 1-866-942-5362

Pacific Standard Time: 8:30 am – 4:30 pm Monday to Friday

Or visit our web site www.whalenstorage.com

Whalen Storage

Factory # 11896

Page # 1

CAUTION

In using your Mobile 2-Door Cart, please observe the following safety precautions.

CAUTION

Take Safety Precautions When Using Your Mobile 2-Door Cart!



Set the brake on the locking casters unless you are moving the Mobile 2-Door Cart



Do not let children near the Mobile 2-Door Cart

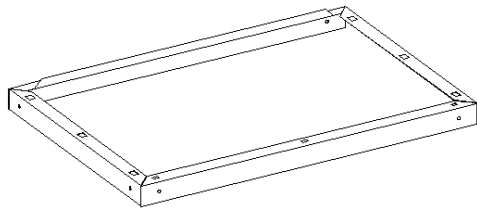
Parts List

Please call for replacement parts or assistance: **1-866-942-5362**

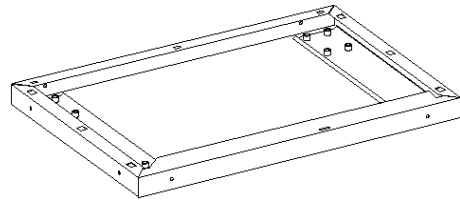
Whalen Storage
Factory No. 11896

Page # 2

Please read completely through the instructions and verify that all parts listed are present before beginning assembly.

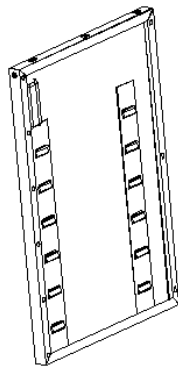


A- Top Panel(1ea.)



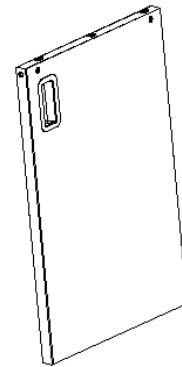
B- Bottom Panel (1-

ea.)

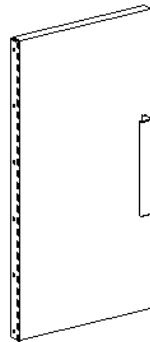


C- Left Side Panel (1-ea.)

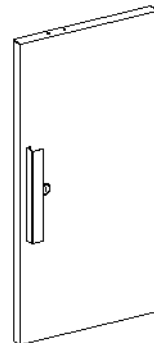
ea.)



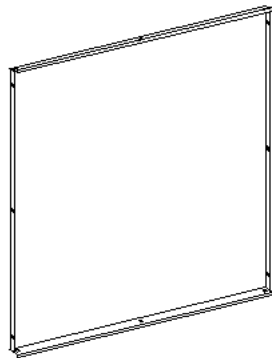
D- Right Side Panel (1-



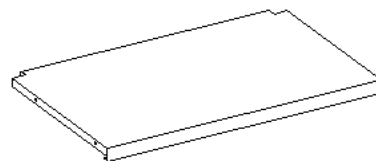
E- Left Door Panel (1-ea.)



F- Right Door Panel w/ Lock (1-ea.)



G- Back Panel (1-ea.)

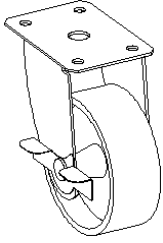


H- Shelf (1-ea.)

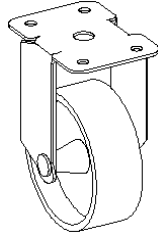
Please call for replacement parts or assistance: **1-866-942-5362**

Parts List

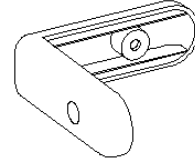
Please read completely through the instructions and verify that all parts listed are present before beginning assembly.



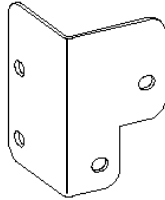
I- Caster with Brake
(2- ea.)



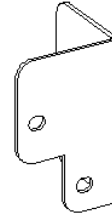
J- Caster without Brake
(2- ea.)



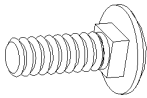
K- Bumper
(4- ea.)



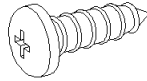
L- Left Front /Right Back Bracket
(2- ea.)



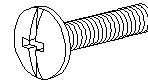
M- Right Front /Left Back Bracket
(2- ea.)



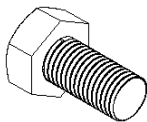
1- 3/8" Carriage Bolt
(12- ea.)



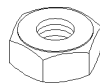
2- 1/2" Screw
(12- ea.)



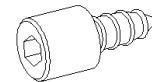
3- 5/8" Bolt
(16- ea.)



4- 3/4" Hex Bolt (16-ea.)



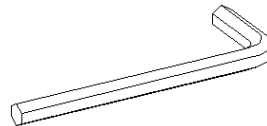
5- Locknut (12-ea.)



6- Socket Cap Screw (8-ea.)



7- Shoulder Washer (8-ea.)



Allen Wrench (1-ea.)

Tool Required: Phillips Screwdriver, Rubber Mallet, Open Wrench and Allen Wrench (provided).

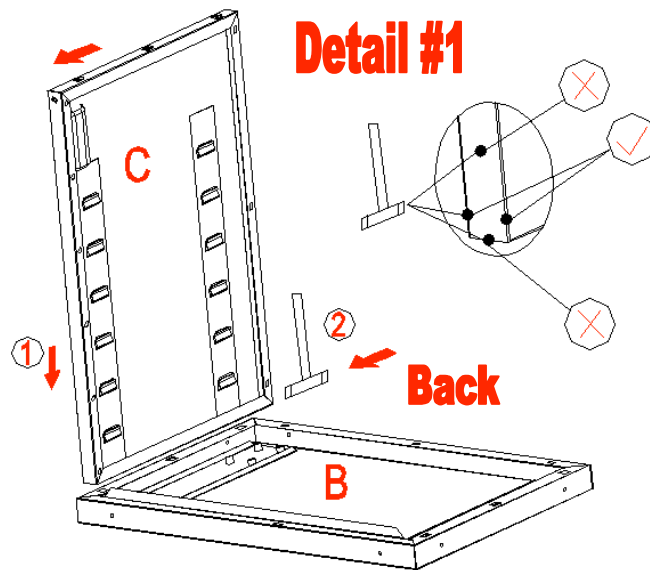
Please call for replacement parts or assistance: 1-866-942-5362

**Whalen Storage
Factory No. 11896
Page # 4**

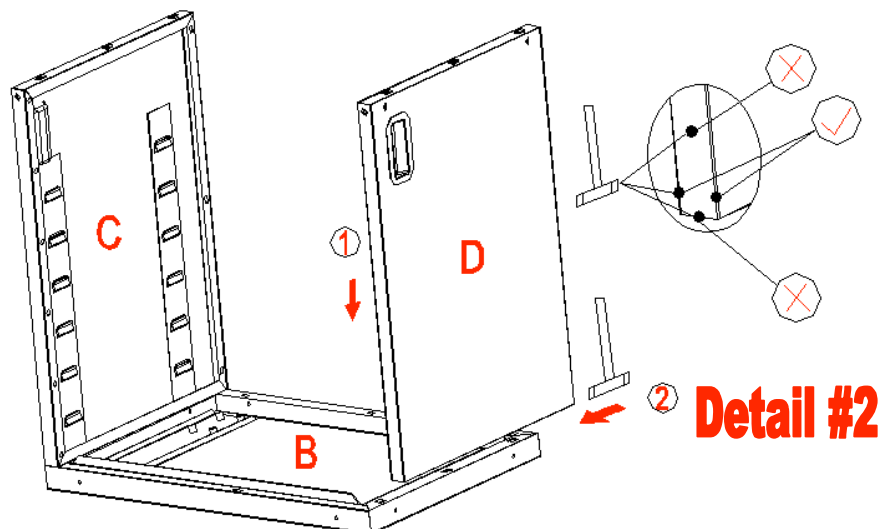
Assembly Instructions

1. Unpack the unit and confirm that you have all the hardware and required parts listed.
2. Locate Bottom Panel (part B) on a scratch free surface. See detail #1.
3. Pick up Left Side Panel (part C) and insert the bottom hooks into the slots of Bottom Panel (part B) and drive the panel to front side with a rubber mallet; Assure to have all the hooks into the slots before hitting the folding edge of side panel near the joints to lock the pieces together. Make sure they go all the way in. When hitting please **DO NOT** hit the center section of panel, this will result in damage to the parts. See detail #1.

Note: Make sure the side hooks on Side Panel are pointing to top.



4. Repeat last procedure to attach the Right Side Panel (part D) at other end. As shown in detail #2.

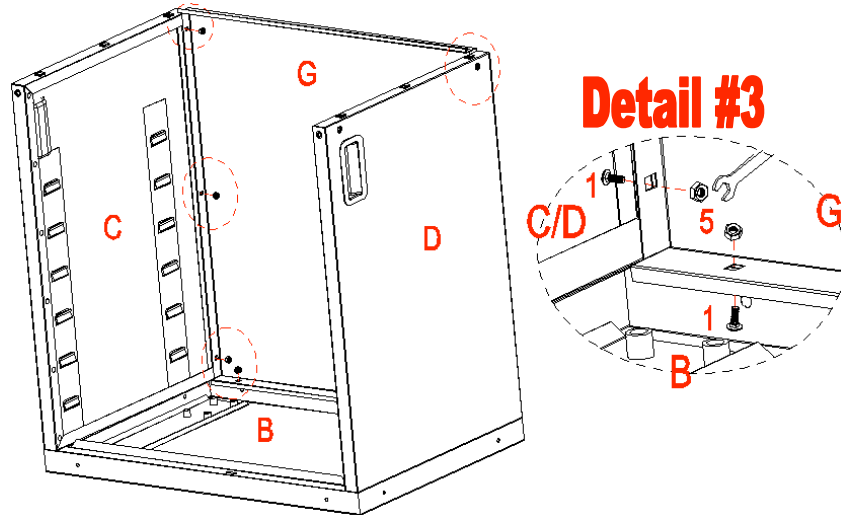


Please call for replacement parts or assistance: 1-866-942-5362

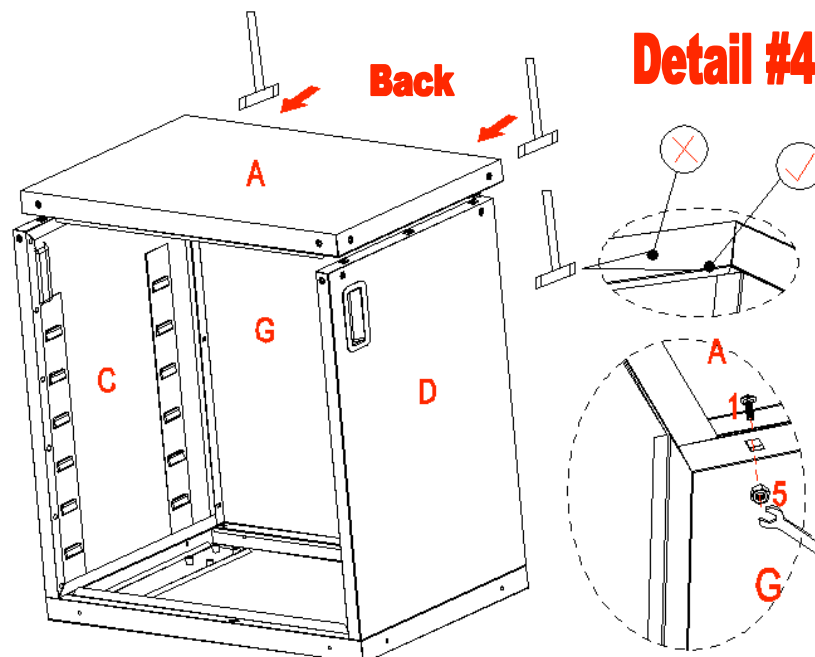
**Whalen Storage
Factory No. 11896
Page # 5**

Assembly Instructions

- Place Back Panel (part G) between Left and Right Side Panel (part C & D), make sure the bottom slots align with the slots on Bottom Panel (part B). Insert the 3/8" Carriage Bolts (part 1) into the slots from inside and secure with Locknut (part 5) by rotating clockwise until firmly tightened, a total of 9 bolts & locknuts. See detail #3.



- Attach Top Panel (part A) to the assembled frame; with the bottom slots align with the hooks included on the top of side panels, drive the Top Panel to front side by hitting the top panel near the joints to lock the pieces together. Make sure they go all the way in and all hooks are fully engaged. You must hit the folding edge of the panel. See detail #4.
- Secure the Top Panel with Back Panel (part G) by inserting three 3/8" Carriage Bolts (part 1) into the slots from inside the cart and secure with the Locknuts (part 5). Tighten with Open Wrench. See detail #4.

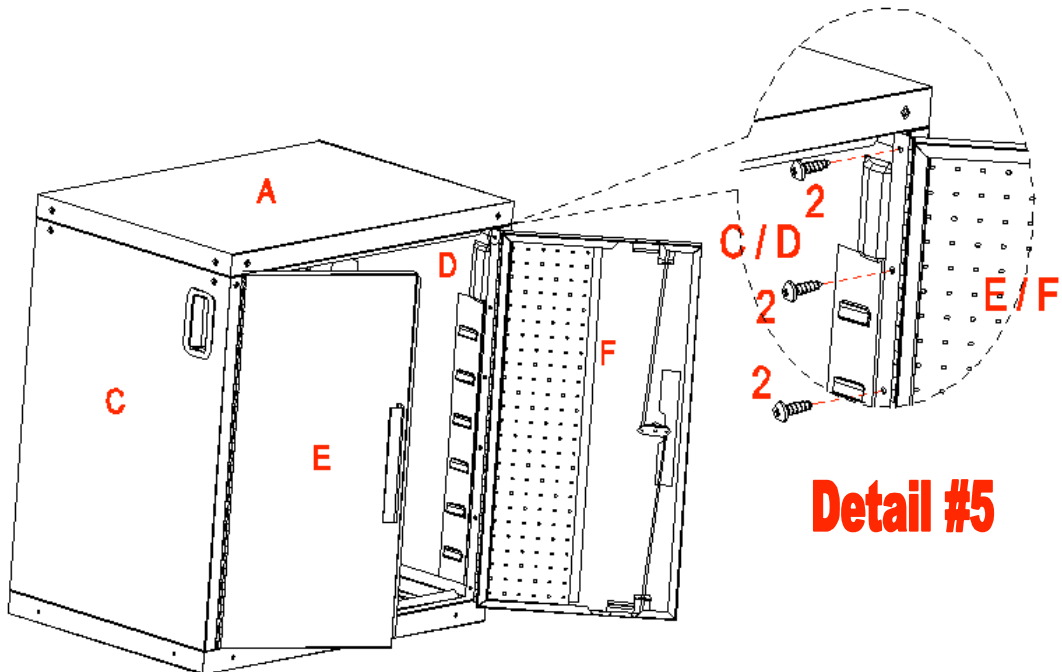


Please call for replacement parts or assistance: 1-866-942-5362

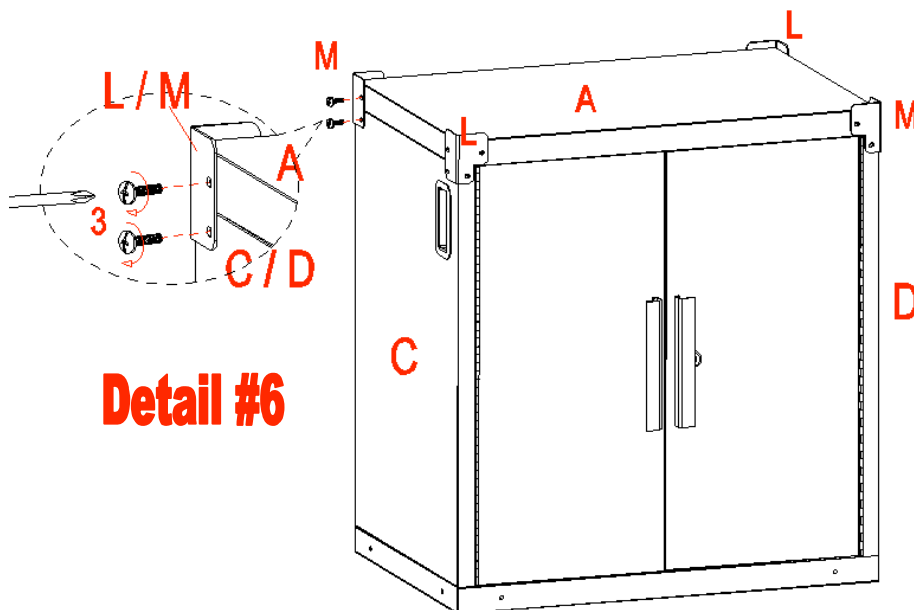
Whalen Storage
Factory No. 11896
Page # 6

Assembly Instructions

- Pick up Right Door Panel w/ Lock (part F) and attach the hinge to the Right Side Panel (part D) with six 1/2" Screws (part 2). As shown in detail #5.
- Repeat last step to attach the Left Door Panel (part E).



- Attach the Metal Brackets (part L & M) onto place at four upper corners of the cart to secure the Top Panel (part A) with Back Panel (part G) and Side Panels (part C& D), four 5/8" Bolts (part 3) per metal bracket. As shown in detail #6.

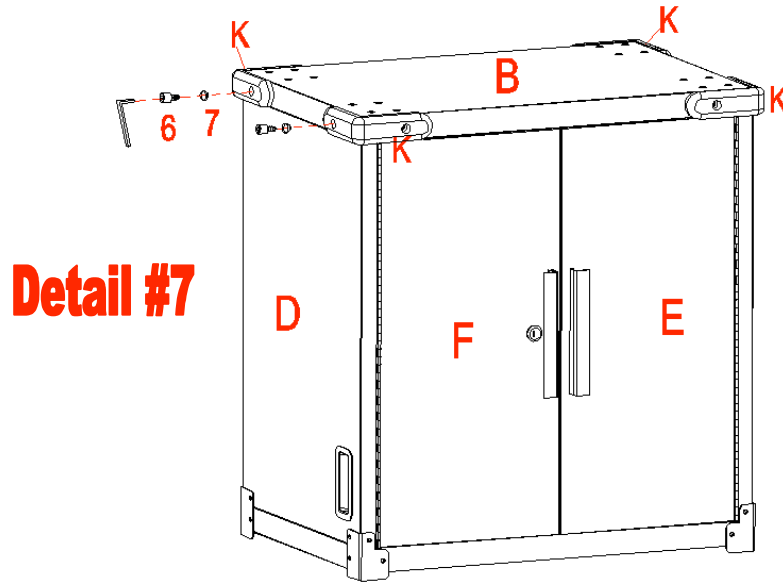


Please call for replacement parts or assistance: **1-866-942-5362**

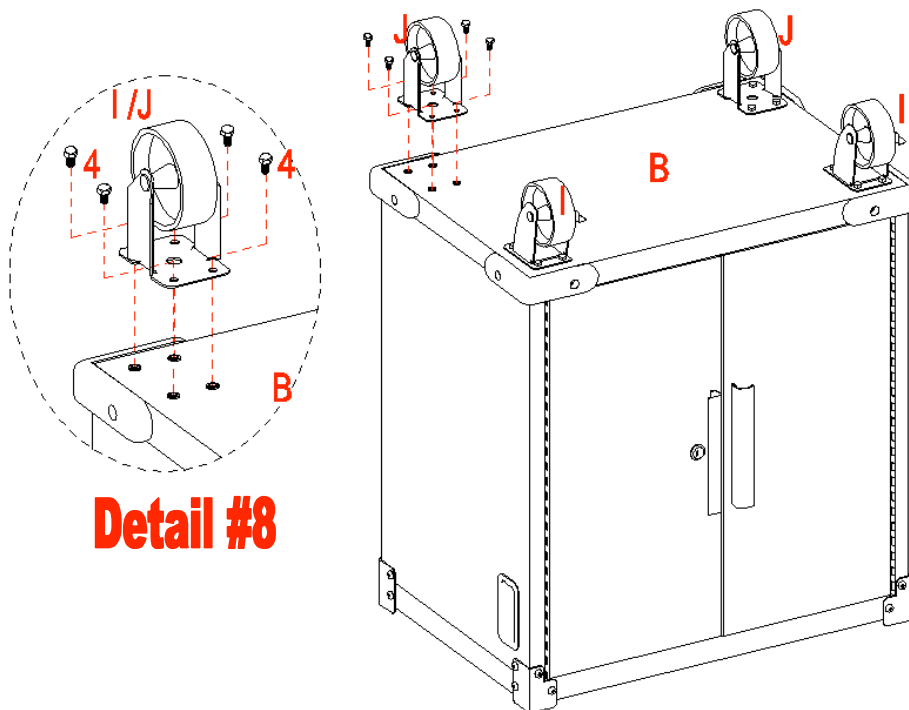
Whalen Storage
Factory No. 11896
Page # 7

Assembly Instructions

11. Place up side down the unit.
12. Attach the Bumper (part K) at each bottom corner for protection to the unit, using the Socket Cap Screws (part 6) through Shoulder Washers (part 7) through the bumper holes into the Bottom Panel (part B). Make sure the shoulder of the Washer point towards bottom panel. See detail #7.



13. Attach the Caster with Brake (part I) and Caster without Brake (part J) onto the bottom of cart with the 3/4" Hex Bolts (part 4), four hex bolts per caster. Make sure the brake points toward to the front of unit. As shown in detail #8.



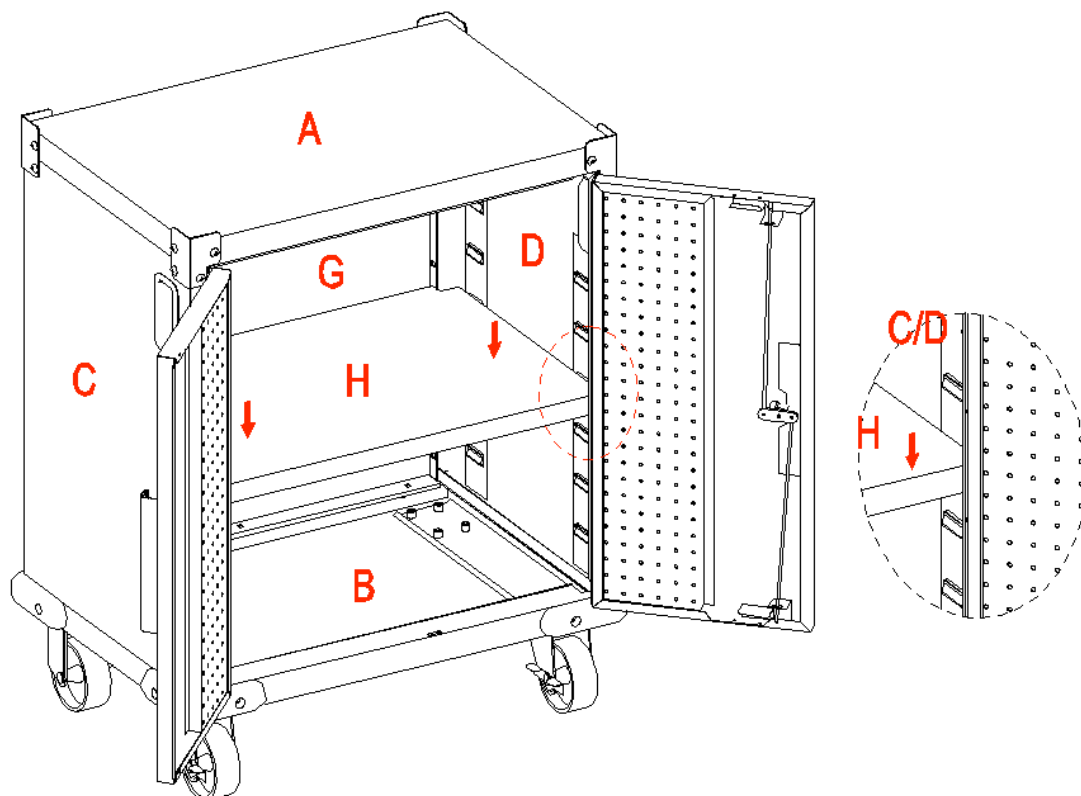
Please call for replacement parts or assistance: **1-866-942-5362**

Whalen Storage
Factory No. 11896
Page # 8

Assembly Instructions

14. Stand the unit upright.
15. With the doors open install Shelf (part H) inside the cart by dropping the fold sides of the shelf into the inside hooks of Left and Right Side Panel (part C & D); make sure the hooks you used at the same level and the cut out of shelf point towards back. As shown in detail #9.

Note: You can enlarge bottom space by selecting upper hooks.



“KEEP THESE INSTRUCTIONS FOR FUTURE REFERENCE.”

**Your assembly should now be complete.
Thank you for your purchase.**



Organize your life.

www.whalenstorage.com

Please call for replacement parts or assistance: 1-866-942-5362

**Whalen Storage
Factory No. 11896**

Page # 9