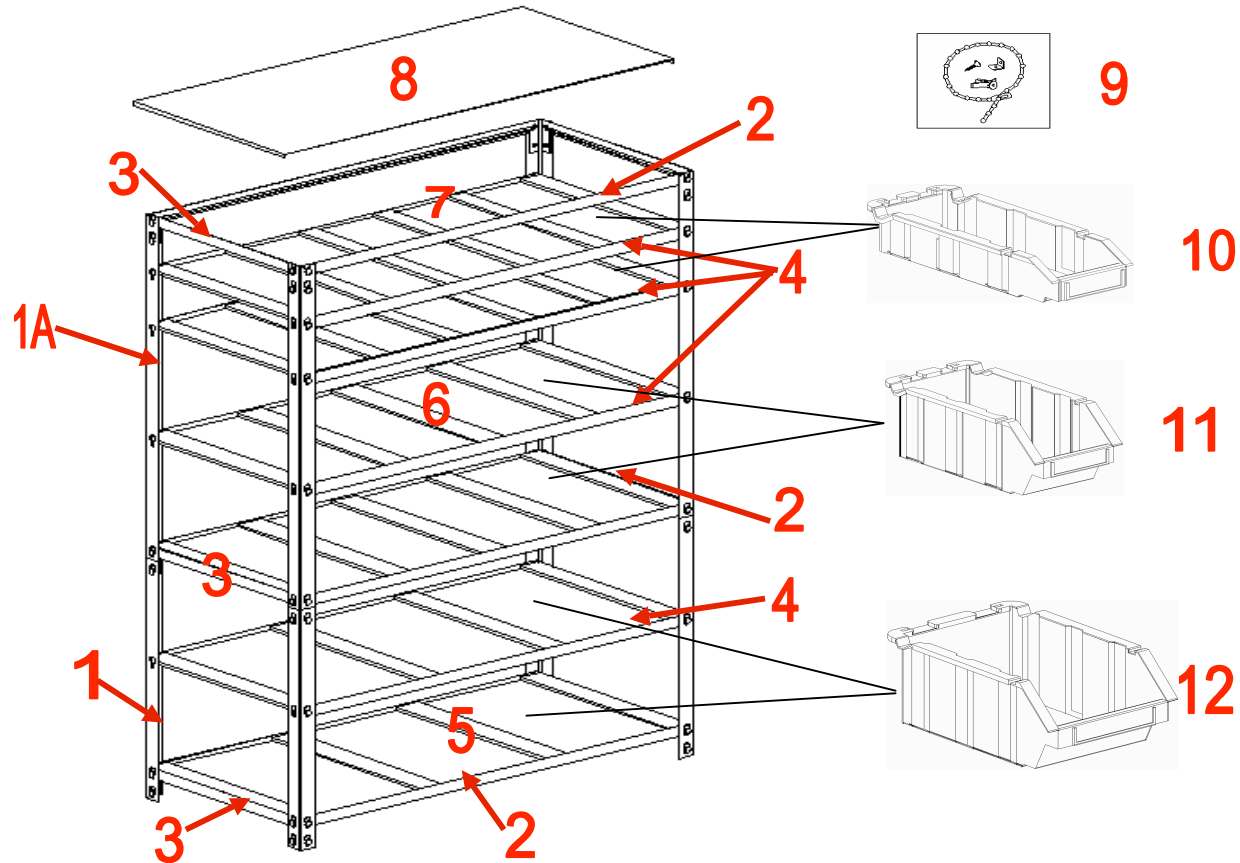


IF YOU REQUIRED TO ORDER PARTS PLEASE USE THE LIST BELOW

## 48" BIN RACK WITH METAL SHELVES



WS-BRWMS-331648 1-BP Bottom Post  
WS-BRWMS-331648 1A-UP Upper Post  
WS-BRWMS-331648 2-LDRB Long Double Rivet Beam  
WS-BRWMS-331648 3-SDRB Short Double Rivet Beam  
WS-BRWMS-331648 4-LSRB Long Single Rivet Beam  
WS-BRWMS-331648 5-MSLB Metal Shelf for Large Bin  
WS-BRWMS-331648 6-MSMB Metal Shelf for Medium Bin

WS-BRWMS-331648 7-MSSB Metal Shelf for Small Bin  
WS-BRWMS-331648 8-TFMS Top Flat Metal Shelf  
WS-BRWMS-331648 9-TRHK Tipping Restraint Hardware Kit  
WS-BRWMS-331648 10-SB Small Bin  
WS-BRWMS-331648 11-MB Medium Bin  
WS-BRWMS-331648 12-LB Large Bin